

WORLD CLASS WINCHES

RELIABLE – DEPENDABLE – UNCOMPLICATED



SEPDURANCE H60

Technical Data

Freespool clutch

Max. pulling force

- bottom rope layer
- top rope layer

Max. rope speed

- bottom rope layer
- top rope layer

Maximum oil pressure

Maximum oil flow

Rope drum diameter

Rope diameter

Rope length

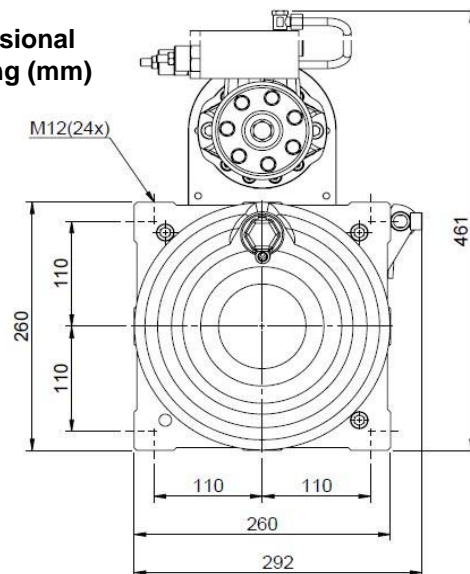
Rope MBL (EN 14492-1)

Number of rope layers

Winch weight

Rope weight

Dimensional drawing (mm)



Product # 73.07-115

Pneumatic

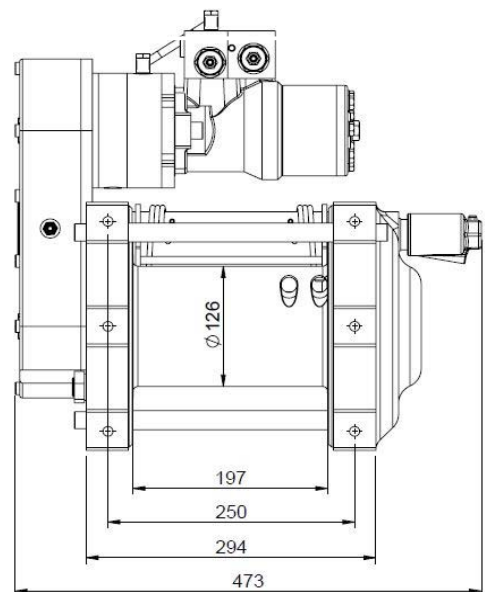
60 kN
38 kN

8 m/min
13 m/min

170 bar
60 l/min

126 mm
14 mm
30 m
≥ 120 kN
4

80 kg
25 kg



Compliant to EN 14492-1

